

# 70GHz Flexible Coaxial Cable Assembly

*Aidan Doran, Product Manager, Space*

*aidan.doran@carlisleit.com*

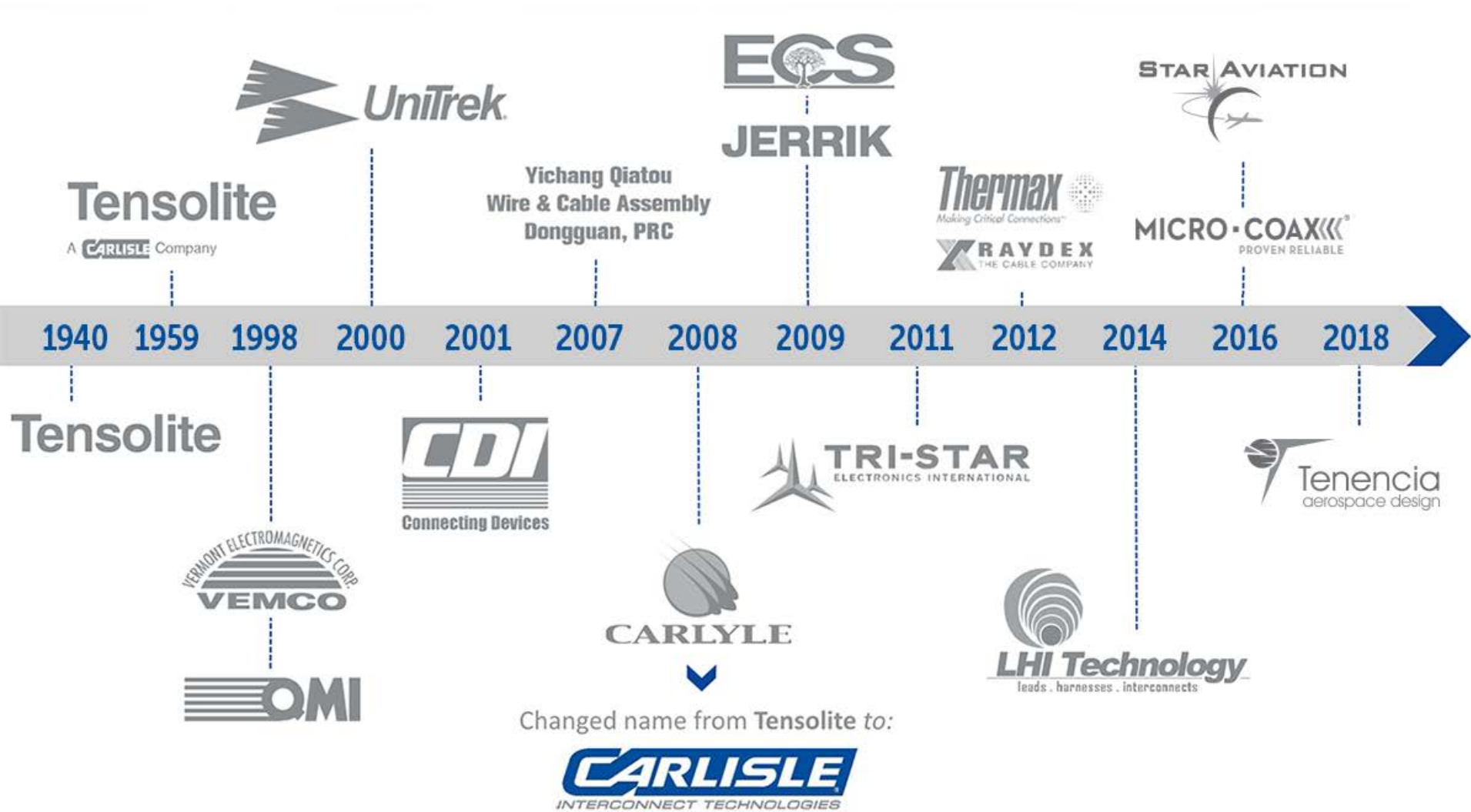
*October 11, 2018*

# Working For You 24/7

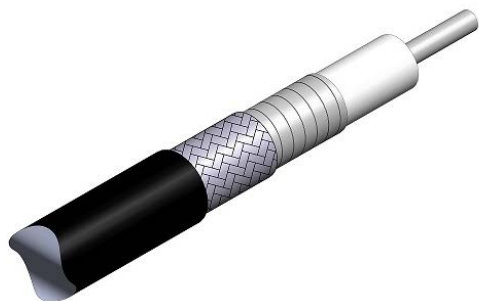
7400 employees at 14 manufacturing locations worldwide



# Growth by Acquisition



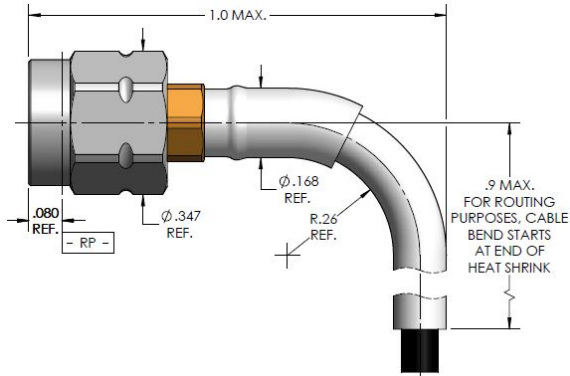
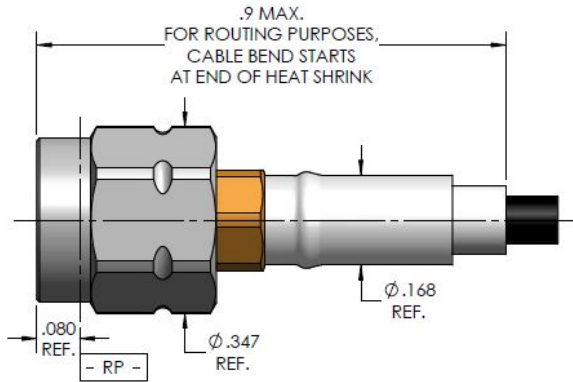
# MCJ088D Cable Key Characteristics\*



Mechanical	
Diameter	0.088 inch (2.2mm)
Insulator	Expanded Tape Wrapped PTFE
Jacket	ETFE, colored black
Braid	ARACON® (silver plated aramid fiber)
Minimum Bend Radius	0.25 inch (6.35mm)
Mass	<4g/ft (<12g/m)
Electrical	
Operating Frequency	70GHz
Loss at 70GHz	<1.81dB/ft (<5.94dB/m)
Environmental	
Thermal	-150C to +165C
Radiation	100Mrad (operational) 300Mrad (survivability)

\*Full data sheet available upon request

# 1.85mm Connector Key Characteristics\*



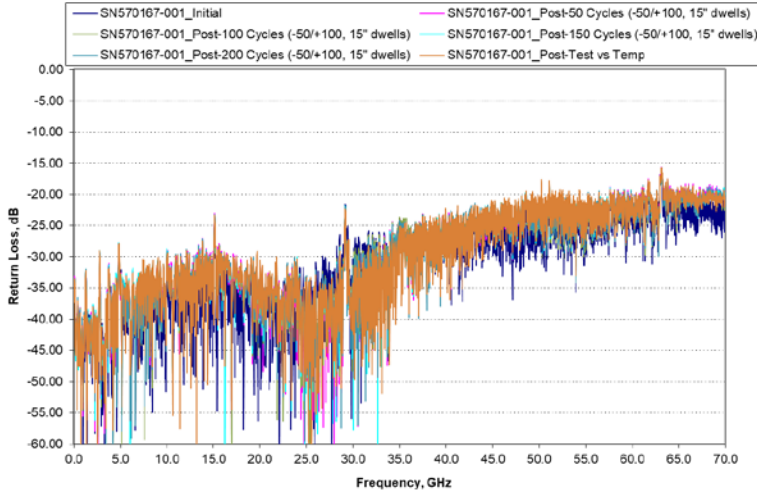
\*Full data sheet available upon request

Mechanical	
Interface Control	IEC 61169-32 (with exceptions)
Center Contact Termination	Spring Finger
Housing Termination	Solder
Dielectric	ULTEM™ (polyetherimide)
Mass	<3g
Electrical	
Operating Frequency	70GHz
Return Loss	16.5dB Typical, 14dB Guaranteed
Loss	$0.03 * \sqrt{\text{freq}}$ (0.25dB @ 70GHz)
Environmental	
Thermal	-100C to +165C
Radiation	100Mrad (operational) 300Mrad (survivability)

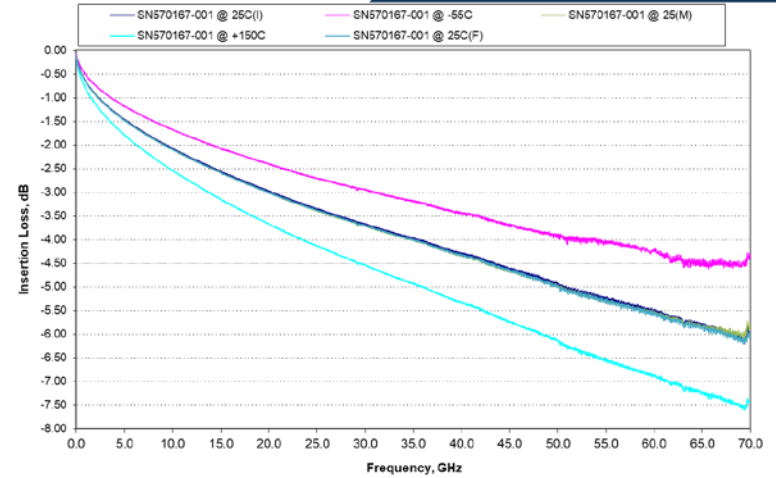
# Performance versus Temperature



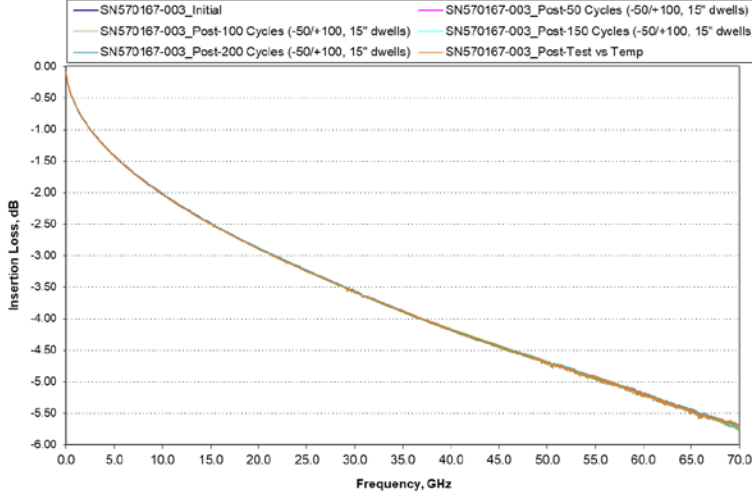
MCJ088D-0-0394-C00CQ0  
S11 Return Loss Through 200 Thermal Cycles



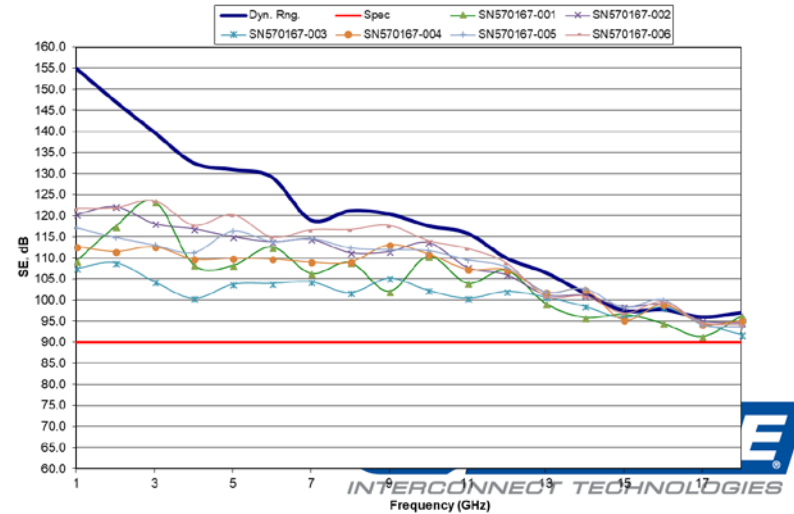
MCJ088D-0-0394-C00CQ0  
Test vs. Temp\_Cycle #3  
S21 Insertion Loss Adjusted for Internal Thru



MCJ088D-0-0394-C00CQ0  
S21 Insertion Loss



MCJ088D-0-0394-C00CQ0  
Shielding Effectiveness, Post 200 Thermal Cycles



# Thank You



[www.CarlisleIT.com](http://www.CarlisleIT.com)